

TATRA

TERRNo1

23PR60/441

Cab-chassis TATRA T815-23PR60 50 325 10x10.2R/441 is designed to be completed by special-purpose bodies to be operated on public roads as well as in harsh off-road terrain and is capable of towing a trailer

DIMENSIONS

Wheelbase (ADR)	7,487 mm
Rear overhang (ADR)	3,660 mm
Upper chassis height at GVM	1,090 mm
Width (ADR)	2,500 mm
Track Front	2,044 mm
Track Rear	1,774 mm
Ground clearance	260 mm

WEIGHT

Unladen/Kerb mass (ISO) ±5%	15,100 kg
Front	8,400 kg
Rear	6,700 kg
Payload on GVM	35,400 kg
GVM/GVW	50,500 kg
GCM/GCW (on-road / off-road)	70,500/70,500 kg
Max. permissible load Front	2x8,000 kg
Rear	3x11,500 kg

PERFORMANCE

Climbing capacity at GVM	82.0 %
Climbing capacity at GCM @ 70,500 kg	50.0 %
Max speed (speed limited)	100 km/h
Turning circle diameter (outside)	25.0 m

ENGINE

Type	TATRA T3D-928-30 EURO4
No. of cylinders and arrangement	V8
Bore x stroke	Ø120 x 140 mm
Swept volume	12,667 cm ³
Max Power (ECE)	325 kW (435 hp) @ 1,800 rpm
Max Torque (ECE)	2,100 Nm @ 1,100-1,200 rpm
Exhaust fumes adjusted by SCR	

CLUTCH

Type	TATRA MFZ 1x430, single-plate
------	-------------------------------

GEARBOX

Type	TATRA 10TS210 synchromesh
No. of gears (forward/reverse)	10 / 2

AUXILIARY GEARBOX

Type	TATRA 2.30TRK0.79/1.85 downward, 2-speed, static shift
------	--

PTO

Optional to meet customer requirements

BODY

Cab-chassis only

FRONT AXLE(S)

Steered, driven with swinging half-axles, disengageable drive, axle differentials and hub reduction
Leaf springs with telescopic shock absorbers

REAR AXLE(S)

Driven, with swinging half-axles, inter-axle differential, axle differentials and hub reduction
Air bellows with coil springs, telescopic dampers and stabiliser bars

STEERING

R.H. compact steering, with backup steering pump

BRAKES

Four separate brake systems: service brake with automatic load sensing, automatic adjustment and ABS (WABCO), emergency brake, parking brake, exhaust brake

TYRES, RIMS

	front	rear
Tyres	385/65R22.5	315/80R22.5
Rims	22.5x11.75	22.5x9.00

CABIN

Forward-tilting, two-seats (air suspension), heating and A/C

ELECTRIC EQUIPMENT

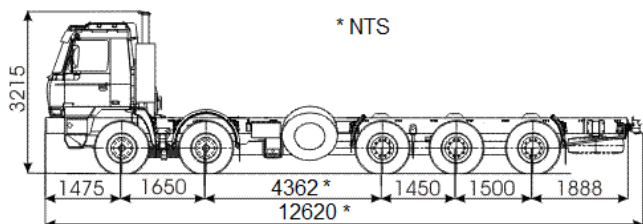
Circuit voltage	24V, negative grounded
Battery	2x12V (170 Ah)
Generator	28 V/ 55-80A

FUEL TANK & ADBLUE

420 litres DIESEL (220, 320 and 420L available as additional or alternative)
67 litres ADBLUE/NONOX

OTHER EQUIPMENT

Speed limiter -WABCO
Electric control, heated rear view mirrors – MEKRA
Trailer coupling (optional) – RINGFEDER 50 mm pin



All heights are nominal figures at GVM
Load space from 750 mm behind front axle

www.tatratrucks.com.au

OFFROAD TRUCKS AUSTRALIA PTY LTD

ABN 12 091 646 481 DL 16670

HEAD OFFICE & SHOWROOM

25 Garnet Way (Cnr Eva St)
MADDINGTON WA 6109
PO Box 342
FORRESTFIELD WA 6058
T: (08) 9459 8911
F: (08) 9459 8966



E: tatra@offroadtrucks.com.au

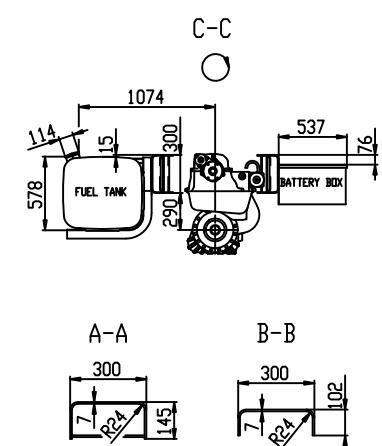
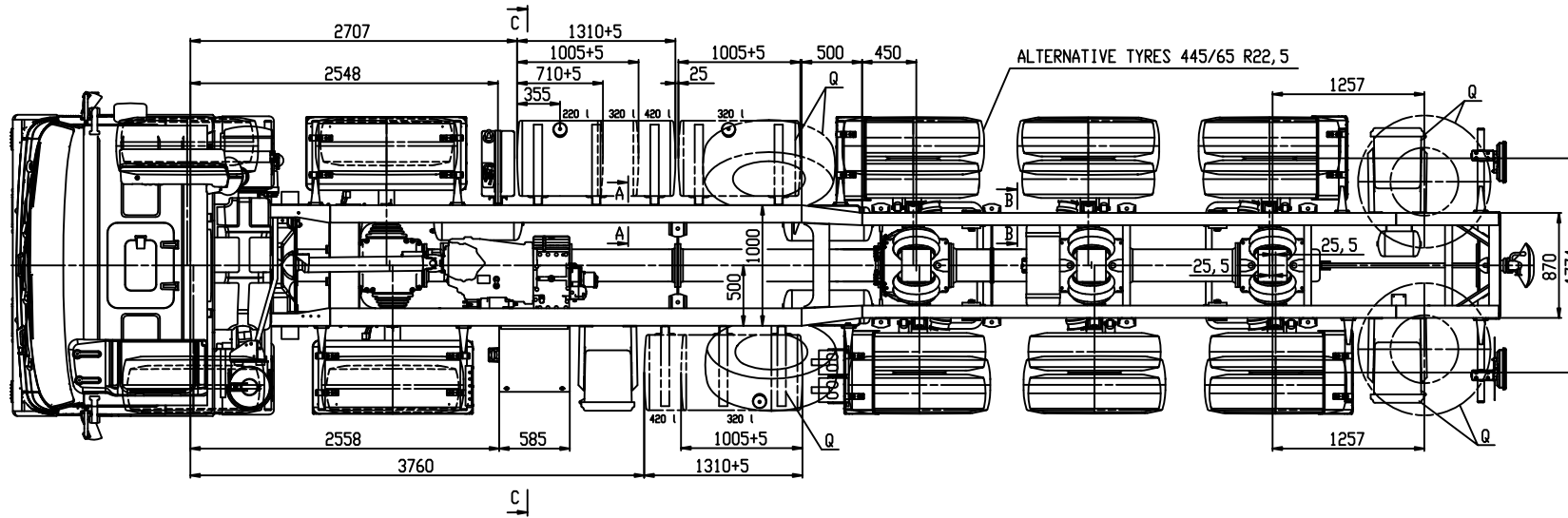
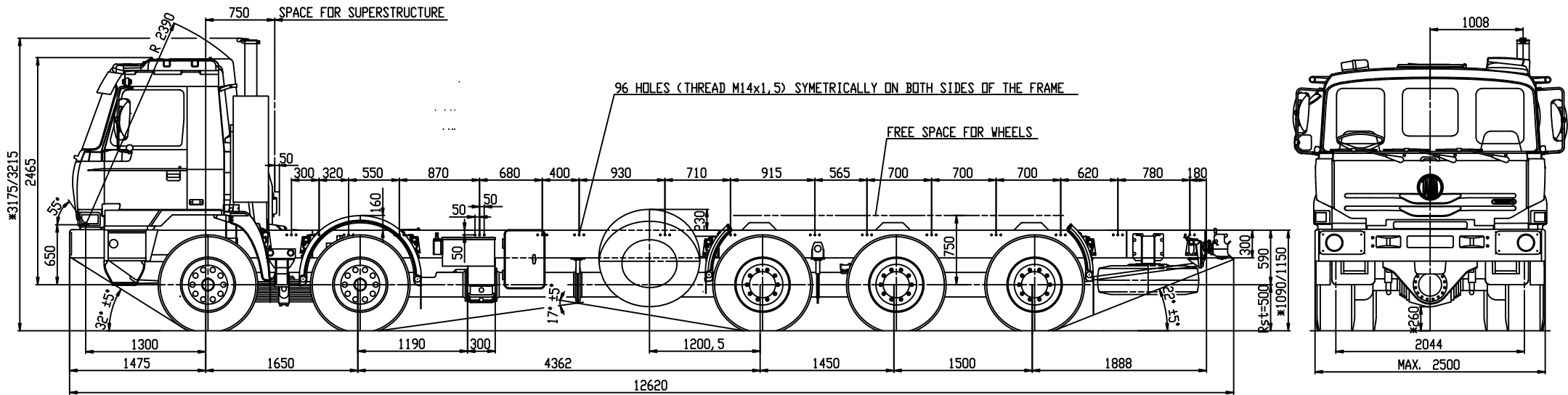
QLD BRANCH

546 Boundary Road
ARCHERFIELD QLD 4108

T: (07) 3274 4666
F: (07) 3274 2411

Manufacturer reserves the right to change vehicle specifications without notice

06/07/2009



PRELIMINARY

Q - CHASSIS FRAME INCLUDES HOLES FOR MOUNTING OF ADDITIONAL OPTIONAL EQUIPMENT (FUEL TANKS, TOOL BOXES, SPARE WHEEL HOLDERS)
 * VYSKOVÉ ROZMERY... ZATIZEN/NEZATIZENO, LADEN/UNLADEN
 HMOŤNOSTI MUSI ODPOVIĎAŤ PREDPISUM ZEME, VE KTERE JE VOZIDLO PROVOZOVANO/WEIGHTS HAVE TO MEET REGULATIONS OF COUNTRY THE VEHICLE IS OPERATED IN.

VARIANT	WEIGHTS <KG>						TYRES		MAIN AGGREGATES						
	PROVOZNI/CURB WEIGHT ±5%			MAX. TECH. PŘIPUSTNÁ DESIGN TOTAL			UZITEČNÁ PAYLOAD	SŮPRAVA GCW	PŘÍVESU TRAILER	PŘEDNÍ FRONT	ZADNÍ REAR	TYP MOTORU ENGINE MODELS		PREVODOVKA GEARBOX	PŘÍDAVNÝ PŘEVOD TRANSFER CASE
23PR60/441	CELKOVÁ TOTAL	PŘEDNÍ FRONT	ZADNÍ REAR	CELKOVÁ TOTAL	PŘEDNÍ FRONT	ZADNÍ REAR	35400	70500	20000	385/65R22.5	315/80R22.5	T3D-928.30	10 TS 210	2.30 TRK	OPTIONAL (at gearbox)
	14800	2x4200	3x2233	50500	2x8000	3x11500	35700	70500	20000	445/65R22.5	445/65R22.5			0.790/1.850	



REAR VIEW OF A WHITE UTILITY TRUCK WITH AN OPEN COMPARTMENT.

COMPONENTS AND LABELS:

- Blue emergency light on top.
- Orange side marker lights on the top corners.
- Yellow reflective stripes on the side of the compartment.
- White cylindrical tank on the left.
- Blue diesel tank on the right.
- Labels: "GREASE TANK", "DIESEL TANK", and "STOP & SERVICING".
- Red taillights and a license plate reading "1DQZ-252".
- Black metal step plate at the bottom.





VS3055

LEIGHTON

OFFROAD TRUCKS
AUSTRALIA

MOBIT
FROM
CZECH REPUBLIC

